



# ***Las Bombas Neumáticas***

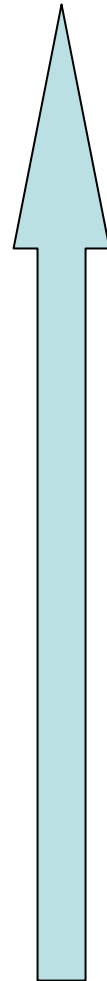
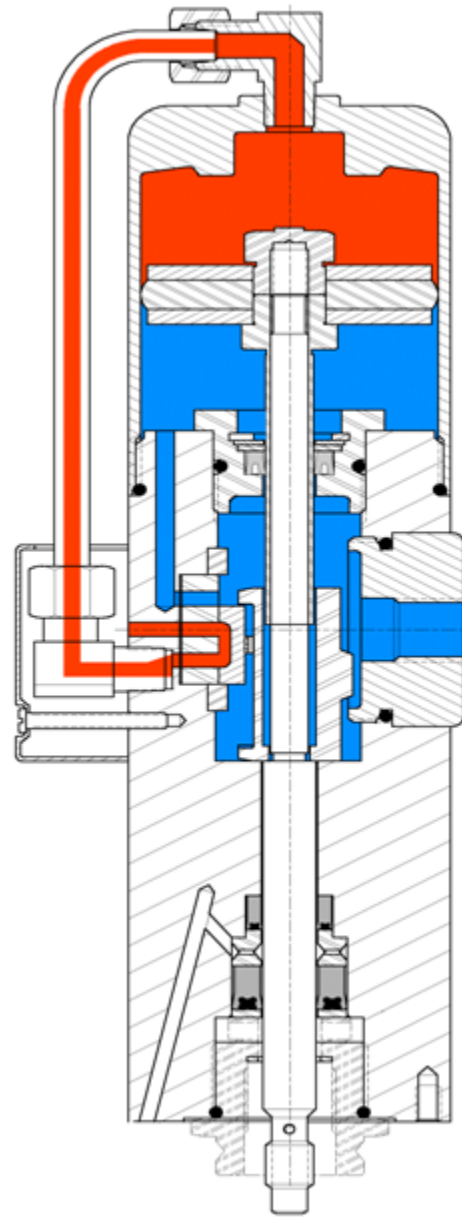
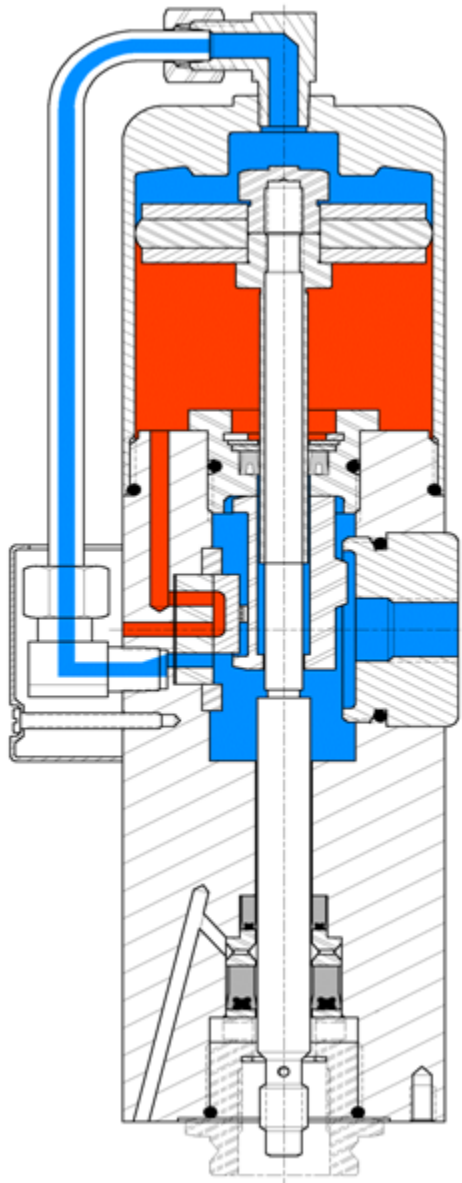
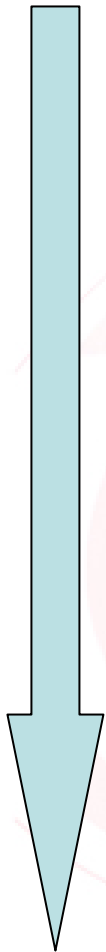


- Standard Duty
  - RAM
- Industrial



# Standard Duty







# “Super H”

Product #	Container Size	Follower	Cover	Weight	Bare Pump
70:1 Ratio. Super H-series pumps feature a 3" diameter air motor. Maximum operating pressure: 100 psi (6.9 bar) Maximum delivery pressure: 7,000 psi (483 bar); Delivery 2.25 lb./min. (1 kg./min.)					
8549-C	400 lb. (180 kg)	338911	318040-4	35 lb.	331378-B1
8549-B1	400 lb. (180 kg)	338911	318040-4	35 lb.	331378-B1
8540-B	120 lb. (50 kg)	338802	338371	32 lb.	331378-A1
8540-A1	120 lb. (50 kg)	Included: 338802	Included: 338371	35 lb.	331378-A1
331378-E1	N/A (12.5 kg)*	338991	Included: 321085	29 lb.	N/A
331378-F1	N/A (12.5 kg)	338991	338981	30 lb.	N/A
331378-H1	N/A (20 kg)	338992	338982	31 lb.	N/A



# “Standard H”

Product #	Container Size	Follower	Cover	Weight	Bare Pump
50:1 Ratio. H-series pumps feature a 2-7/16" diameter air motor. Maximum operating pressure: 150 psi (10 bar), Maximum delivery pressure: 7,500 psi (517 bar); Delivery 2.5 lb./min. (1.1 kg./min.)					
8559-B	400 lb. (180 kg)	338911	318040-4	35 lb.	331380-B5
8550-A1	120 lb. (50 kg)	Included: 338802	Included: 338371	35 lb.	331380-A5
331380-E1	N/A (12.5 kg)	338991	338981	30 lb.	N/A
331380-M1	N/A (20 kg)	338992	338982	31 lb.	N/A
331380-N1	Special	N/A	Included: 321085	29 lb.	N/A

Product #	Description	Drum Size	Pump Ratio	Delivery	Bung Adapter	Weight
8568-A4	High-Pressure Oil Pump (Stationary)	Stub	4:1	3 gpm	Yes: 326750	14 lb.



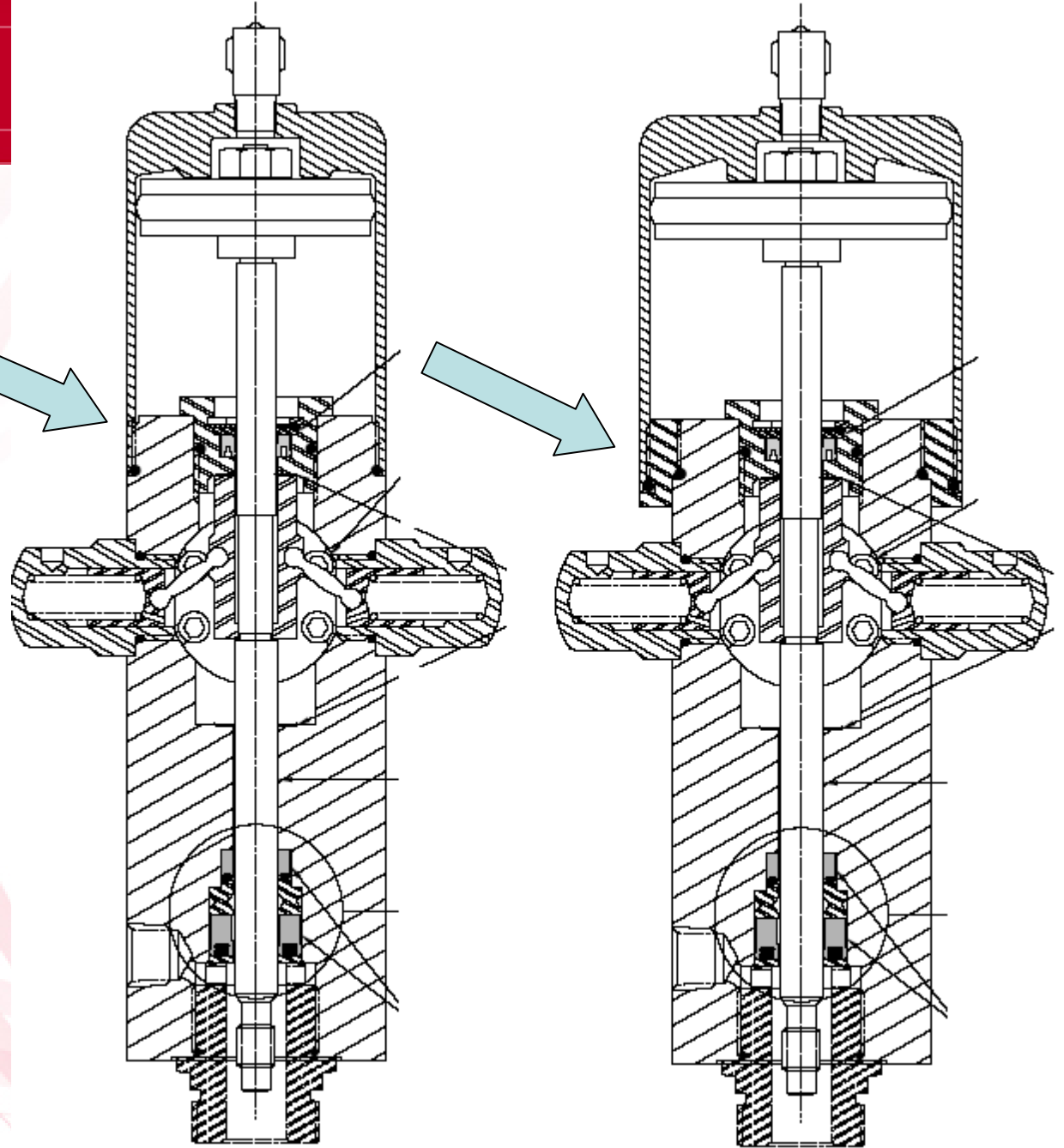
Product #	Description	Drum Size	Pump Ratio	Delivery	Weight	Included Items
331571-A5	Stationary H-Pump	120 lb.	26:1	5.25 lb./min	34 lb.	N/A
331571-B5	Stationary H-Pump	400 lb.	26:1	5.25 lb./min	44 lb.	N/A
331571-C5	Stationary H-Pump	35 lb.	26:1	5.25 lb./min	29 lb.	N/A
8553-2	Portable H-Pump	35 lb.	26:1	5.25 lb./min	50 lb.	Cover (338166), 25' Hose (317875-25), Z-Swivel (B52752), Control Valve (6320-3)

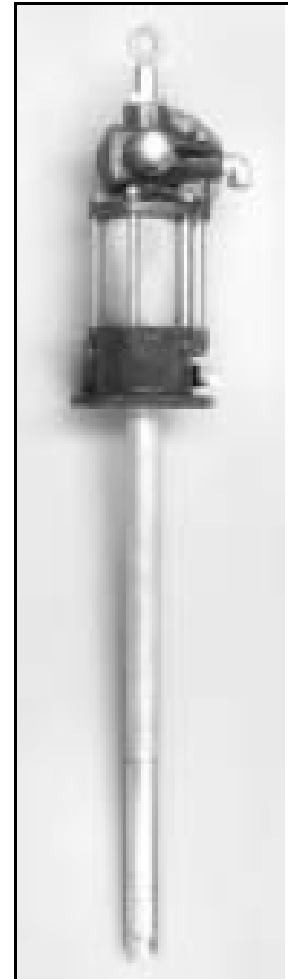




- “Super H”  
3” dia
- “Standard H”  
2-7/16” dia.

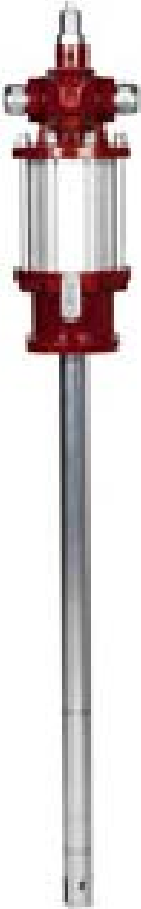
\*9/16” aumenta  
la proporción  
de la bomba  
por 40%



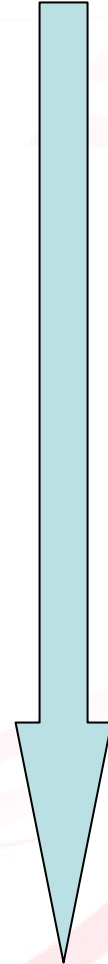
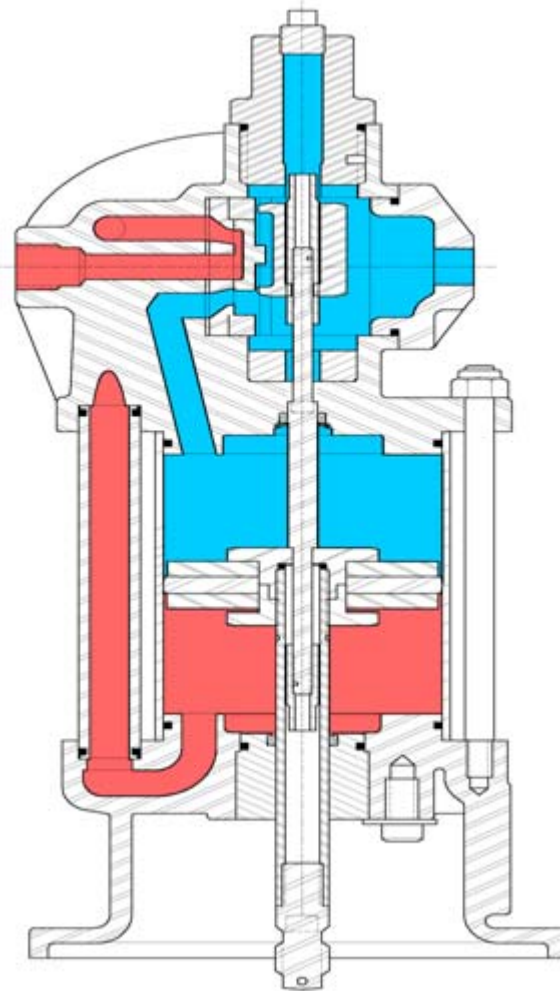
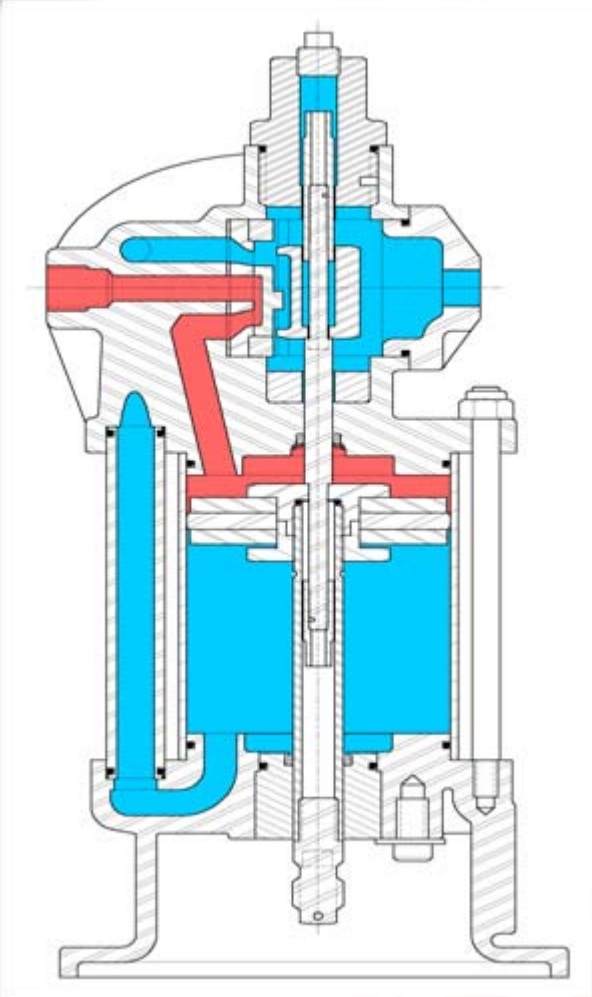
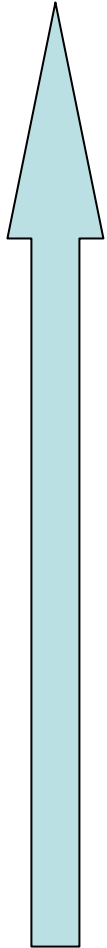




# Bombas Industriales









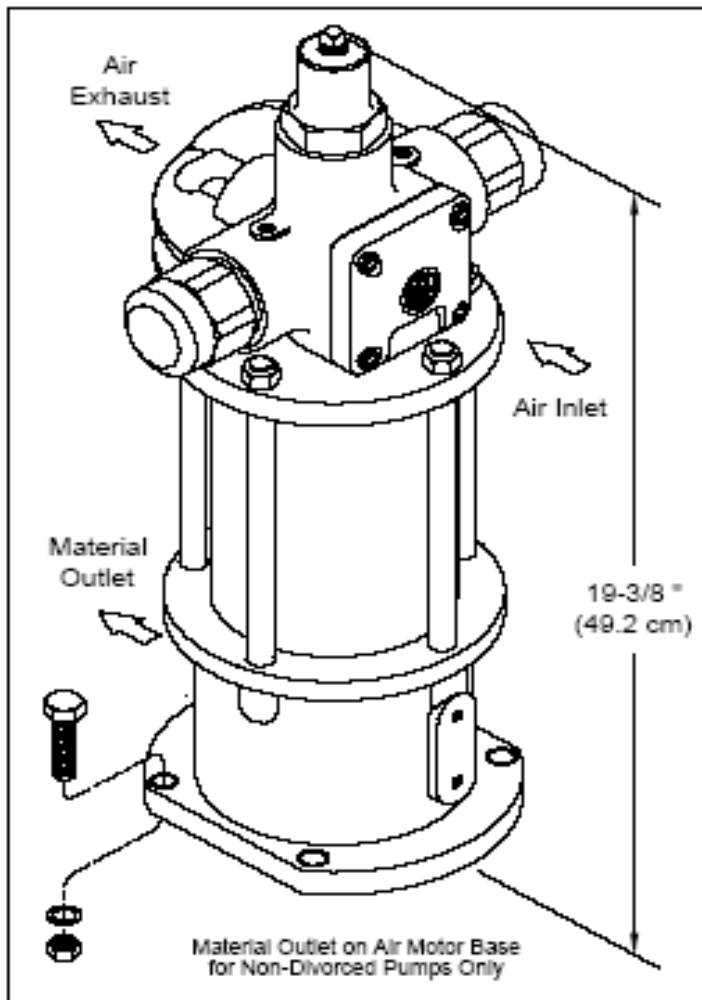
Product #	Drum Size	Pump Ratio	Delivery	Follower (flexible)	Cover	Muffler	Material Hose	Weight
7784-A4	400 lb.	25:1	32 lb./min	338912	323847-4	324170	317882-7	76 lb.
7785-A5	400 lb.	40:1	22 lb./min	338912	323847-4	324170	317882-7	77 lb.
7785-B5	120 lb.	40:1	22 lb./min	338804	323800-4	324170	317882-7	72 lb.
7786-A5	400 lb.	75:1	12 lb./min	338912	323847-4	324170	317882-7	75 lb.
7786-C	120 lb.	75:1	12 lb./min	338804	323800-4	324170	317882-7	75 lb.
➤ 7795-A5	400 lb.	80:1	13 lb./min	338912	323847-4	324170	317882-7	90 lb.
➤ 7795-B5	120 lb.	80:1	13 lb./min	338804	323800-4	324170	317882-7	84 lb.
7735*	Bulk	10:1	73 lb./min	N/A	N/A	324170	317856-5F	57 lb.
➤ 7736*	Bulk	11:1	86 lb./min	N/A	N/A	324170	317856-5F	57 lb.
7730*	Bulk	75:1	12.5 lb./min	N/A	N/A	324170	317876-5	64 lb.
7785-MA	180 kg.	40:1	25 lb./min	338912	323847-4	324170	317882-7	77 lb.
7786-MA**	180 kg.	75:1	12.5 lb./min	338912	323847-4	324170	317882-7	77 lb.
➤ 7795-MA**	180 kg.	80:1	13 lb./min	338912	323847-4	324170	317882-7	77 lb.

➤ Motor de 6"

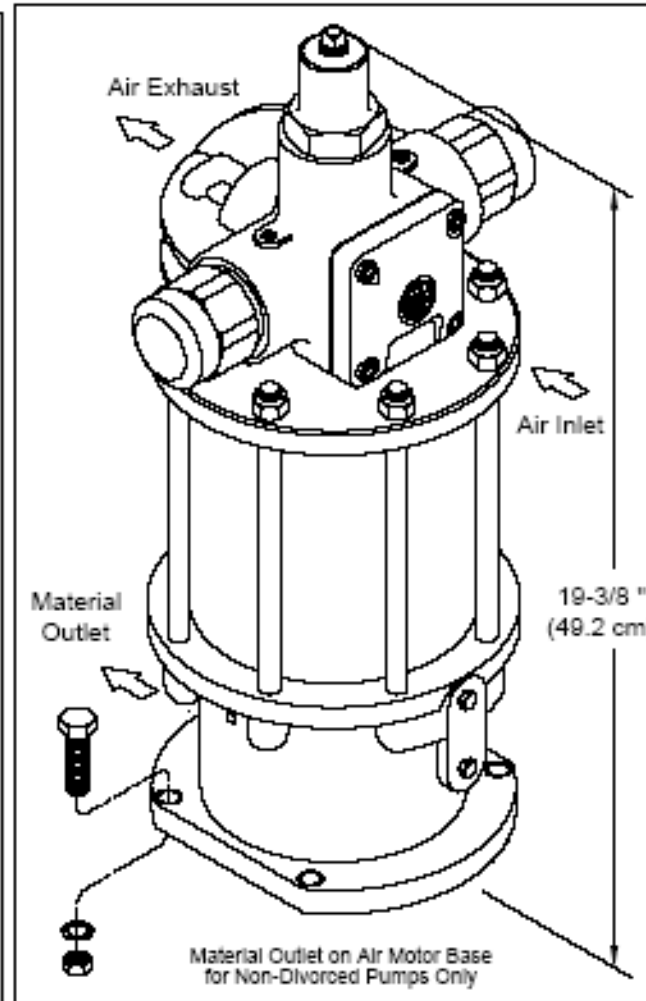


Product #	Description	Drum Size	Pump Ratio	Delivery	Weight	Bung Adapter *	Cover	Muffler
7783-A4	Pneumatic Industrial Oil Pump (Stationary)	55 gal.	6:1	10 gpm	55 lb.	326750-B1	323847-4	324170
7783-B4	Pneumatic Industrial Oil Pump (Stationary)	16 gal.	6:1	10 gpm	50 lb.	326750-B1	323800-4	324170
7783-C4	Pneumatic Industrial Oil Pump (Stationary)	Stub*	6:1	10 gpm	45 lb.	326750-B1	**	324170
➤ 7793-A1	Pneumatic Industrial Oil Pump (Stationary)	55 gal.	12:1	6.5 gpm	75 lb.	326750-B1	323847-4	324170
➤ 7793-C	Pneumatic Industrial Oil Pump (Stationary)	Stub*	12:1	6.5 gpm	65 lb.	326750-B1	**	324170

➤ Motor de 6"



**Motor de 4-1/4"**



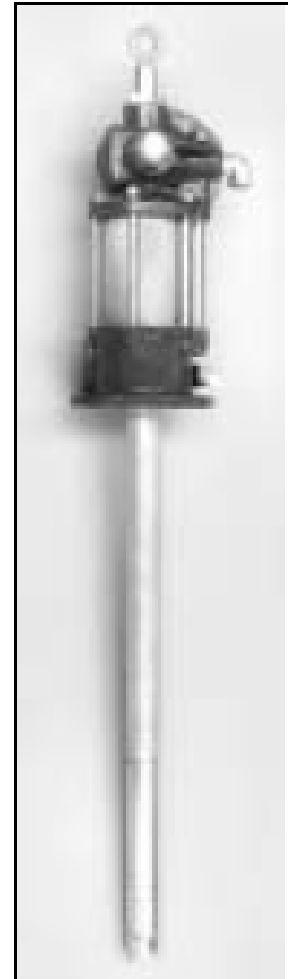
**Motor de 6"**

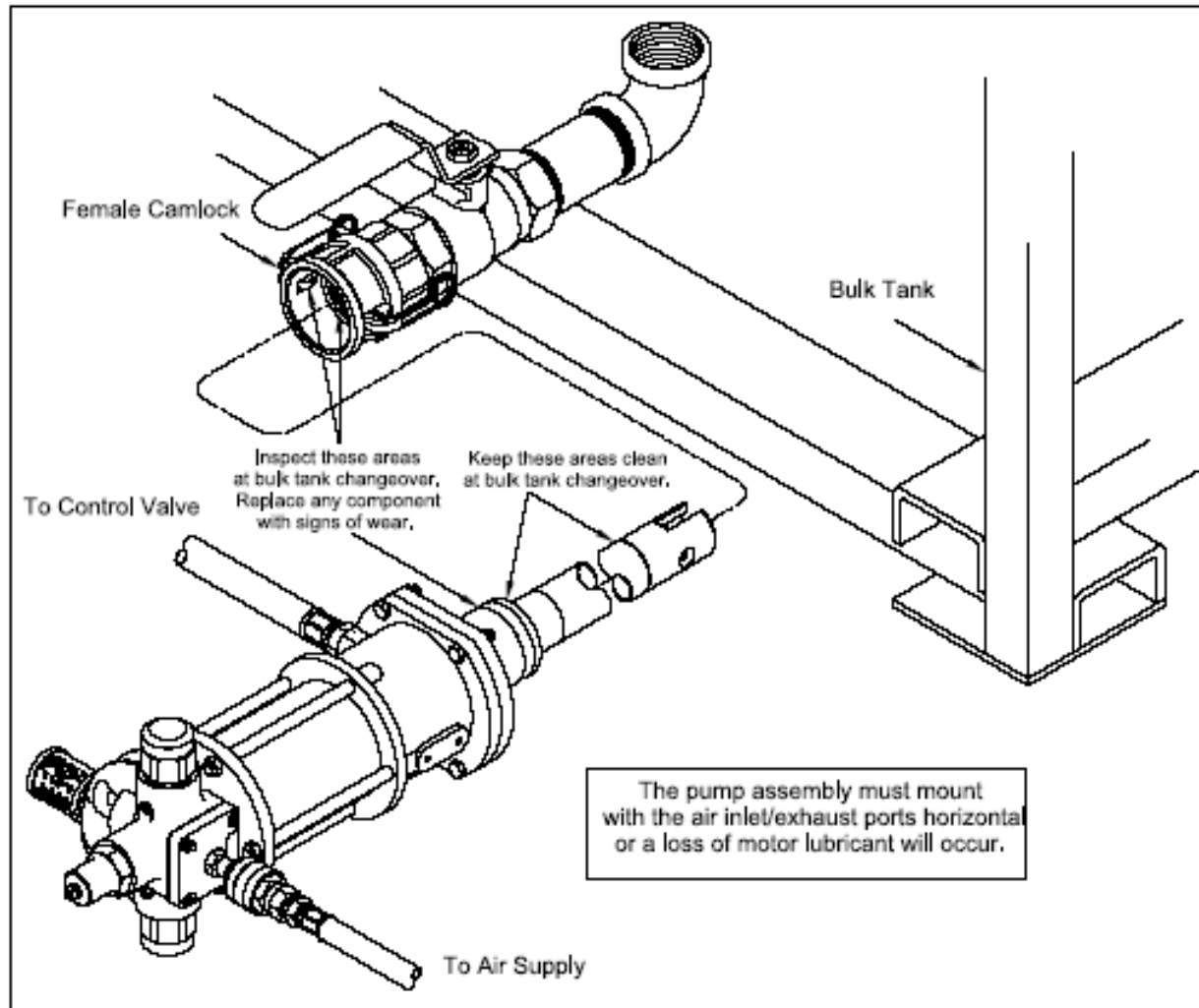
**Aumentando  
el diámetro  
del pistón**

**1-3/4"  
aumenta la  
proporción  
de la bomba  
por 100%**











# Selección de Bombas

- Factores de Consideración
  - Tipo de producto (Densidad)
    - Congelante
    - Aceite de Motores
    - Grasa
  - Tambor/Depósito del Producto
    - Temperatura
    - Volumen requerido
  - Cantidad de puntos de despacho
    - Presión requerida
    - Distancia



# Selección de Bombas-Grasa

Pump distance (feet)	Up to 4 ft	Up to 50 ft	Up to 75 ft	75-150 ft	Up to 150 ft	Over 150 ft	Over 150 ft
Number of outlets	1	1	1-3	1-3	3+	1-3	3+
Drum size 35 lbs. (9911 includes follower plate and cover)	N/A	9911 Series**	N/A	N/A	N/A	N/A	N/A
120 lbs. (only 9950-A1 and 8550-A1 include follower plate and drum cover)	N/A	9951 Series**	9950-A1 8550-A1	9940 8540-A1	7785-B5 7786-C	7785-B5	7786-C
400 lbs. (only 9979-A includes follower plate & drum cover)	7216-A4*	9979-A 8559-B	9979-A 8559-B	9949 8549-B1	7785-A5 7786-A5	7885-A5	7786-A5
Bulk Tote Tank	N/A	N/A	9930	7730	7730	7730	7730
Tubing recommendation (hydraulic fitting)	5/8" OD 0.083" Wall	5/8" OD 0.083" Wall	5/8" OD 0.083" Wall	3/4" OD 0.095" Wall	1" OD 0.125" Wall	1" OD 0.125" Wall	1" OD 0.125" Wall



# Selección de Bombas-Aceite

<b>Pump distance (feet)</b>	<b>Up to 10 ft</b>	<b>Up to 25 ft</b>	<b>Up to 75 ft</b>	<b>75-200 ft</b>	<b>Up to 200 ft</b>	<b>Over 200 ft</b>	<b>Over 300 ft</b>
Number of outlets	1	1	1-2	1-3	3+	1-3	3+
16 gallon container	N/A	9960-A	9960-A	N/A	N/A	N/A	N/A
55 gallon container (all require downtubes except 7216-4 and 9969-B)	7216-4***	9918-A	9918-A* 9969-B**	9969-B* 9970**	7783-A4	9970* or 7783-A4**	7793-A1
Bulk container (these pumps require a downtube)	9916-A1	N/A	9918-A*, 9968** 8568-A4	9968* or 9970**	7783-C4	7783-C4**	7793-C
Tubing recommendation (hydraulic fitting)	5/8" OD 0.035" Wall	5/8" OD 0.035" Wall	5/8" OD 0.035" Wall	5/8" OD 0.035" Wall	1" OD 0.049" Wall	1" OD 0.049" Wall	1" OD 0.049" Wall



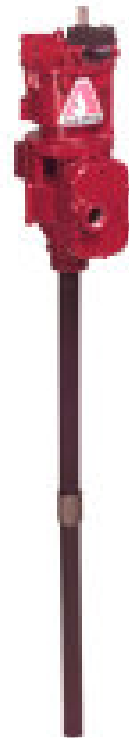
# Otras Bombas Neumáticas

Transferencia (Alto Volumen)  
Productos Agresivos



# Bombas de Alto Volumen

Product #	Wetted Materials	Seal Material	Drum Size	Pump Ratio	Free Flow per min	Cycles per gal.	Material Outlet	Weight
6799	Carbon Steel, Aluminum, Stainless Steel, Nylon	PTEE & Buna	55 gal.	1/3:1	30 gal.	30	1"	22 lb.

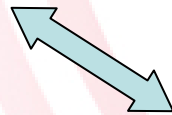




# Bombas de Alto Volumen



Product #	Wetted Material	Seal Material	Drum Size	Pump Ratio	Free Flow per min	Cycles per gal.	Material Inlet	Material Outlet	Weight
7216-4	Carbon Steel	Teflon® & Nylon II	55 gal.	1:1	14 gal.	25	N/A	1" NPTF(f)	14 lb.
7216-A4	Carbon Steel	Teflon® & Nylon II	55 gal.	1:1	33 lb.	25	N/A	1" NPTF(f)	18 lb.
7216-S3	Stainless Steel	Teflon®	55 gal.	1:1	14 gal.	25	1" NPTF(f)	1" NPTF(f)	22 lb.
7216-B	Carbon Steel	Buna	55 gal.	2:1	7 gal.	32	N/A	3/8" NPTF(f)	18 lb.
7222-B4	Carbon Steel	Viton	Stub	1:1	14 gal.	25	1-1/2" NPTF(f)	1" NPTF(f)	12 lb.
7880-C1	Stainless Steel	Teflon®	Stub	2.5:1	7 gal.	38	1" NPTF(f)	3/8" NPTF(f)	14 lb.





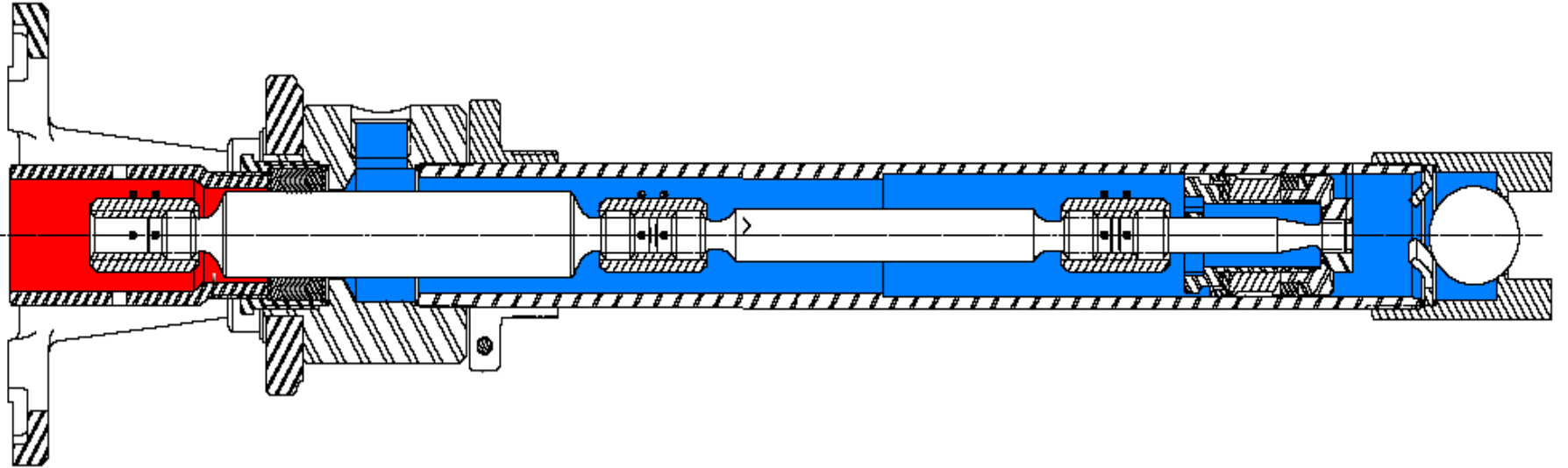
# Bombas Divorciadas

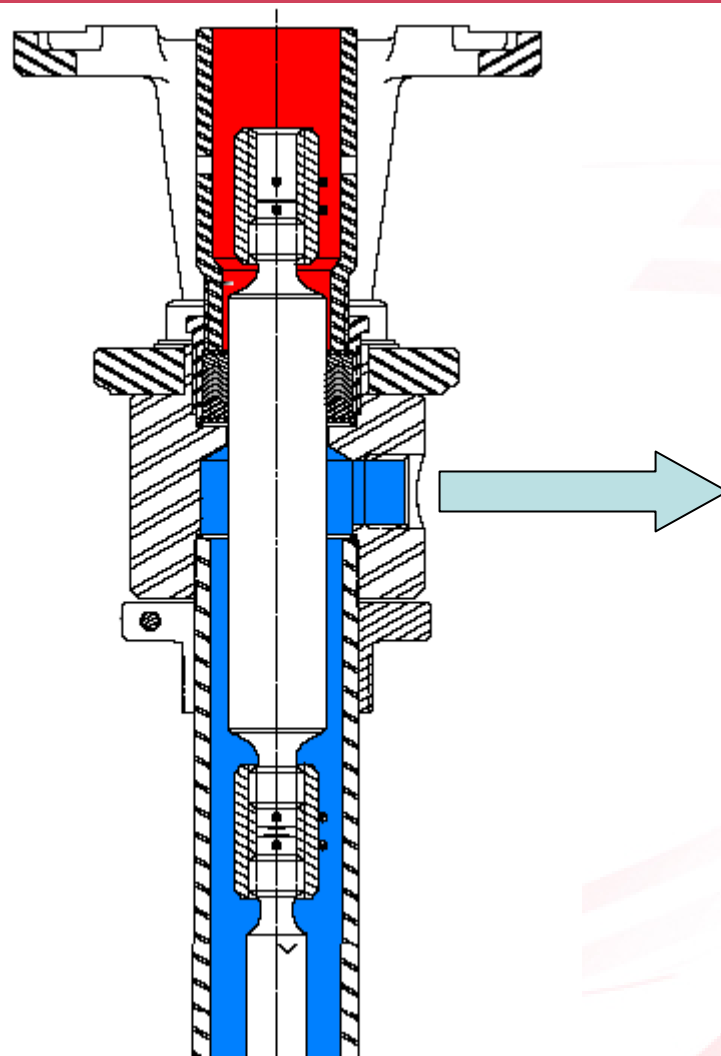
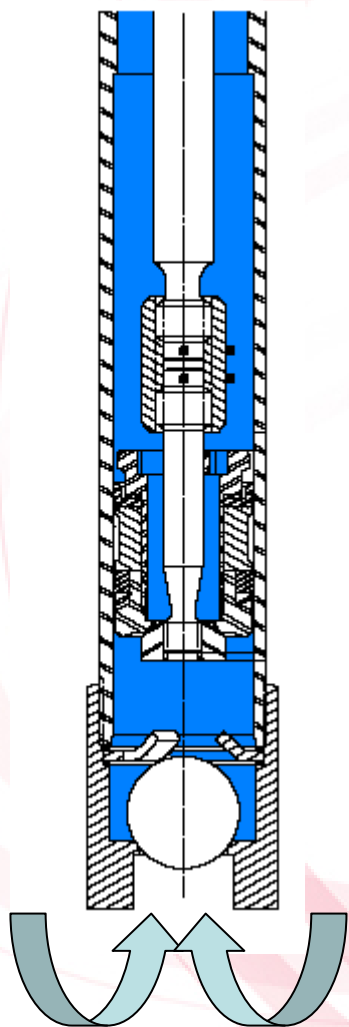


**Conectado**



**Separado- "Divorciado"**







# Clasificación de Productos

## Material Classification

<b>Class</b>	<b>Fluid Type</b>	<b>Fluids</b>
Class 1	Light Fluids (Viscosity 5 to 400 cps)	Acids, Adhesives, Cosmetics (fluid), Dextrose (liquid), Food Flavorings, Inks (liquid), Lubricating Oils (SAE 10 to SAE 40), Mineral Oils, Resins (synthetic), Shortenings (liquid), Solvents, Vegetable Oils (edible/non-edible)
Class 2	Medium Fluids (Viscosity 200 to 4,000 cps)	Adhesives, Batters (bakery), Drugs (fluid), Flavorings (ice cream), Food Fillings, Purees, Sealers, Syrups, Trough Grease
Class 3	Medium Fluids (Viscosity 3,000 to 30,000 cps)	Adhesives (latex), Ceiling Coating (acoustical), Doughs, Food Flavorings, Inks, Jams & Jellies, Sealers, Sound Deadeners, Syrups
Class 4	Medium Semi-Fluids (Viscosity non-measurable)	Buffing Compounds, Dough (heavy bakery), Drugs (semi-fluid), Food Products, Inks (heavy), Resins (synthetic), Shortening (vegetable paste), Sound Deadeners
Class 5	Heavy Semi-Fluids (Viscosity non-measurable)	Caulk (gun grade), Glues (dehydrated), Putty (light), Sealers (heavy)
Class 6	Extra-Heavy Semi-Fluids (Viscosity non-measurable)	Cements (plastic), Caulk (trowel grade), Caulk (tape), Sealers (trowel grade)



<b>Product #</b>	<b>Wetted Material</b>	<b>Seal Material</b>	<b>Drum Size</b>	<b>Pump Ratio</b>	<b>Free Flow per min</b>	<b>Cycles per gal.</b>	<b>Material Outlet</b>	<b>Weight</b>
7835-C1	Carbon Steel	Buna	Stub	5:1	5 gal.	25	3/4" NPTF(f)	30 lb.
7835-DTRI	Carbon Steel	Teflon®	55 gal.	5:1	5 gal.	25	3/4" NPTF(f)	42 lb.
7835-SDTRI	Stainless Steel	Teflon®	55 gal.	5:1	5 gal.	25	3/4" NPTF(f)	44 lb.





<b>Product #</b>	<b>Wetted Material</b>	<b>Seal Material</b>	<b>Drum Size</b>	<b>Pump Ratio</b>	<b>Free Flow per min</b>	<b>Cycles per gal.</b>	<b>Material Outlet</b>	<b>Weight</b>
7886-A5	Carbon Steel	Buna	400 lb.	11:1	13 gal.	30	1" NPTF(f)	78 lb.
7886-B	Carbon Steel	Buna	5 gal.	11:1	13 gal.	30	1" NPTF(f)	75 lb.
7886-S5	Stainless Steel	Teflon®	400 lb.	11:1	13 gal.	30	1" NPTF(f)	82 lb.



**7886-S5**



<b>Product #</b>	<b>Wetted Material</b>	<b>Seal Material</b>	<b>Drum Size</b>	<b>Pump Ratio</b>	<b>Free Flow per min</b>	<b>Cycles per gal.</b>	<b>Material Outlet</b>	<b>Weight</b>
7896-A5	Carbon Steel	Buna	400 lb.	22:1	7 gal.	30	1" NPTF(f)	85 lb.
7896-S5	Stainless Steel	Teflon®	400 lb.	22:1	7 gal.	30	1" NPTF(f)	91 lb.



**7896-A5**



<b>Product #</b>	<b>Wetted Material</b>	<b>Seal Material</b>	<b>Drum Size</b>	<b>Pump Ratio</b>	<b>Free Flow per min</b>	<b>Cycles per gal.</b>	<b>Material Outlet</b>	<b>Weight</b>
7890-A	Carbon Steel	Buna	400 lb.	24:1	50 lb.	40	1/2" NPTF(f)	91 lb.
7893-A	Carbon Steel	Buna	400 lb.	48:1	20 lb.	40	1/2" NPTF(f)	102 lb.
7889-6	Carbon Steel	Buna	400 lb.	40:1	3 gal.	97	1/2" NPTF(f)	92 lb.
7889-C	Carbon Steel	Buna	120 lb.	40:1	3 gal.	97	1/2" NPTF(f)	84 lb.



**7889-C**



# La Bomba RAM

***R.A.M.***

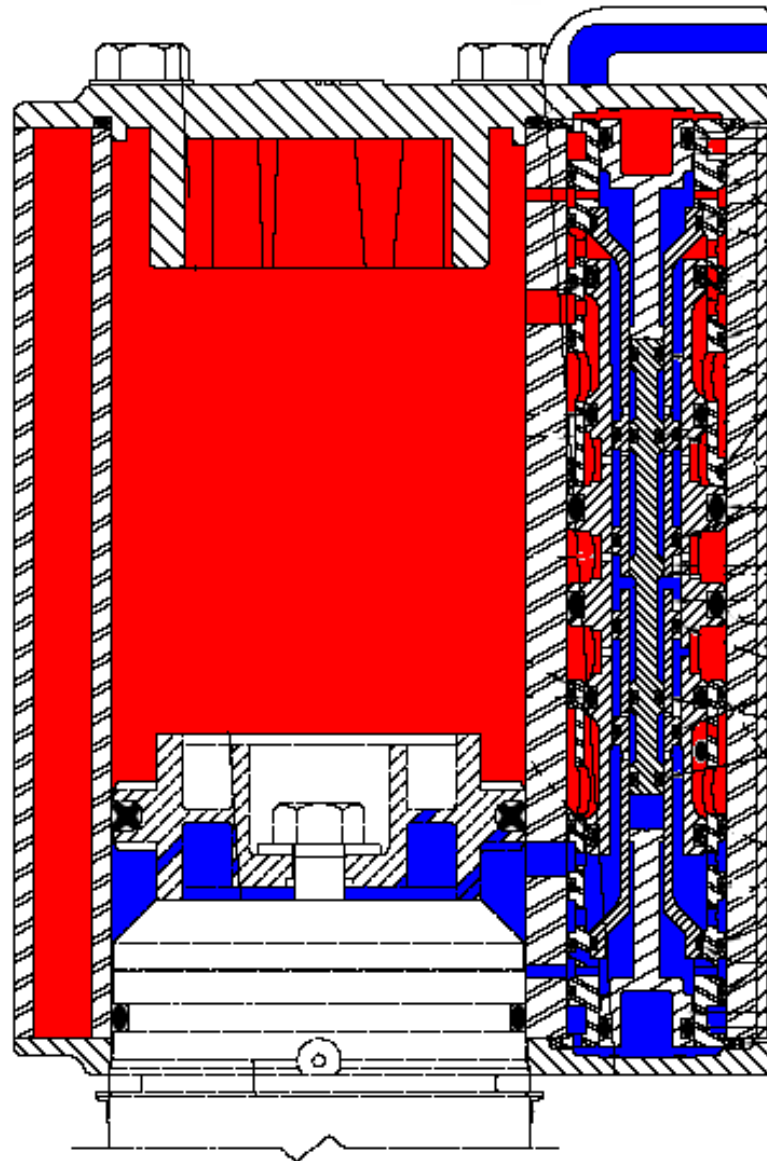
**Rapid**

**Air**

**Movement**



(Movimiento Rápido de Aire)





# Grasa (Estacionarias)

Product #	Drum Size	Delivery	Weight	Recommended Accessories	
				Follower	Cover
<b>70:1 Ratio</b>					
9940	120 lb.	3.25 lb./min	28 lb.	338802	338371
9949	400 lb.	3.25 lb./min	32 lb.	338911	338163
<b>50:1 Ratio</b>					
9950-I	120 lb.	4.5 lb./min	19 lb.	338802	338371
9950-AI	120 lb.	4.5 lb./min	32 lb.	Included: 338802	Included: 338371
9979	400 lb.	4.5 lb./min	25 lb.	338911	338163
9979-A	400 lb.	4.5 lb./min	49 lb.	Included: 338911	Included: 338163
9950-BI	12.5 kg (35 lb.)	2.04 kg/min	16 lb.	338991	338981
9950-CI	20 kg	2.04 kg/min	18 lb.	338992	338982
9950-I	50 kg (120 lb.)	2.04 kg/min	19 lb.	338802	338371
9950-DI	180 kg (400 lb.)	2.04 kg/min	23 lb.	338911	338984
9979-H	180 kg (400 lb.)	2.0 kg/min	25 lb.	Included: 338911	Included: 338984
9930*	Bulk	4.5 lb./min	16 lb.	Not required	Not required



# Grasa (Portátiles)

## Included items (unless noted)

Product #	Drum Size	Delivery	Cover	Follower	Dolly	Other	Weight	Bare Pump
9911-A1	see note*	4.5 lb/min	323496-A4	see note*	393629	N/A	68 lb.	9911-R1
9911-J	35 lb	4.5 lb/min	338166	337665	No	Built-in carrying handle	29 lb.	9950-C1
9911-Z1	35 lb	4.5 lb/min	338166	337665	338958	N/A	50 lb.	9911-I
9941	120 lb	3.25 lb/min	338371	338802	316315-5	N/A	54 lb.	9940
9951-I	120 lb	4.5 lb/min	338371	338802	316315-5	Built-in holster for hose and handle	50 lb.	9950-I
9951-S1	120 lb	4.5 lb/min	338371	338802	N/A	Built-in holster for hose and handle	37 lb.	9950
9951-T1	120 lb	4.5 lb/min	338371	338802	338958	Built-in holster for hose and handle	57 lb.	9950-I
9911-HA1	12.5 kg	2.04 kg/min	338981	338991	Order separately 338958	Built-in carrying handle	31 lb.	N/A
9911-HB1	20 kg	2.04 kg/min	338982	338992	Order separately 338958	N/A	37 lb.	N/A
9911-HC1	50 kg (120 lb)	2.04 kg/min	338983	338993	Order separately 338958	N/A	42 lb.	N/A
9911-B1	120 lb	4.5 lb/min	323496-A4	N/A	N/A	N/A	36 lb.	9911-R1
9911-C1	35 lb	4.5 lb/min	Included: 338166	337665	N/A	N/A	21 lb.	9911-I



# Aceite (Estacionarias)

Product #	Description	Material Inlet	Material Outlet	Drum Size	Pump Ratio	Delivery	Bung Adapter	Weight
9916-A1	Pneumatic RAM Oil Pump	1-1/2" NPTF(f)	1/2" NPTF(f)	Stub	1:1	16 gpm	Integral	17 lb.
9918-A	Pneumatic RAM Oil Pump	1-1/2" NPTF(f)	1/2" NPTF(f)	Stub	3:1	9 gpm	Integral	17 lb.
9920	Pneumatic RAM Oil Pump	1" NPTF(f)	1" NPTF(f)	Stub	1:1	20 gpm	No	18 lb.
9960*	Pneumatic RAM Oil Pump	1-1/2" NPTF(f)	1/2" NPTF(f)	16 gal.	5:1	7 gpm	Yes: 326750-B1	18 lb.
9960-A*	Pneumatic RAM Oil Pump	1-1/2" NPTF(f)	1/2" NPTF(f)	16 gal.	5:1	7 gpm	No	17 lb.
9968	Pneumatic RAM Oil Pump	1-1/2" NPTF(f)	1/2" NPTF(f)	Stub	5:1	7 gpm	Yes: 326750-B1	14 lb.
9968-A	Pneumatic RAM Oil Pump	1-1/2" NPTF(f)	1/2" NPTF(f)	Stub	5:1	7 gpm	No	17 lb.
9969-B*	Pneumatic RAM Oil Pump	1-1/2" NPTF(f)	1/2" NPTF(f)	55 gal.	5:1	7 gpm	Yes: 326750-B1	18 lb.
9970	Pneumatic RAM Oil Pump	1" NPTF(f)	3/8" NPTF(f)	Stub	10:1	3.5 gpm	Yes: 326750-B1	11 lb.



# Aceite (Portátil)

Product #	Description	Bare Pump	Drum Size	Pump Ratio	Delivery	Weight
9961-1	Pneumatic RAM Oil Pump (Portable)	9968	16 gal.	5:1	4 gpm	40 lb.





# Otras Bombas- Hidráulica

Product #	Description	Container Size	Output Pressure	Delivery*	Input Pressure ** (psi)	Input Flow (GPM)	System Pressure (psi)	Max. Hydraulic Fluid
8600-A	Grease Pump with cover & follower	35 lb.	Up to 3,500 psi	6 to 30 cu in./min	300 to 600	2 to 7	300 to 3,500	250°F
8602-A	Grease Pump	35 lb.	Up to 3,500 psi	6 to 30 cu. in./min	300 to 600	2 to 7	300 to 3,500	250°F





# Otras Bombas- Eléctricas



## **7175-R4**

### Electric Grease Pump

#### FEATURES:

- Delivery: 14 oz. per minute NLGI #1 grease (70°F)
- 115V, 50/60 Hz 3/4 HP motor
- 25' three-wire electric cable
- 40-lb. grease capacity
- Maximum pressure: 5,000 psi (built-in switch shuts off motor)
- Recommended for use with 25' of hose or less
- Helix arm assembly provides positive feed for thick lubricants at low temperatures
- No follower plate required

#### INCLUDED ITEMS:

- 10' Hose (317878-10)
- Z-Swivel (B52752)
- Control Valve (6320-3)



# Otras Bombas- GT

**Productos  
Agresivos**



**Bases de  
Agua**



**Productos  
Petroleos**



**5 a 55  
Galones**



- Se presuriza el tambor hacia 10PSI.
- Despacho hacia 4.5 GPM (Depende del producto)
- Dispensador remoto opcional